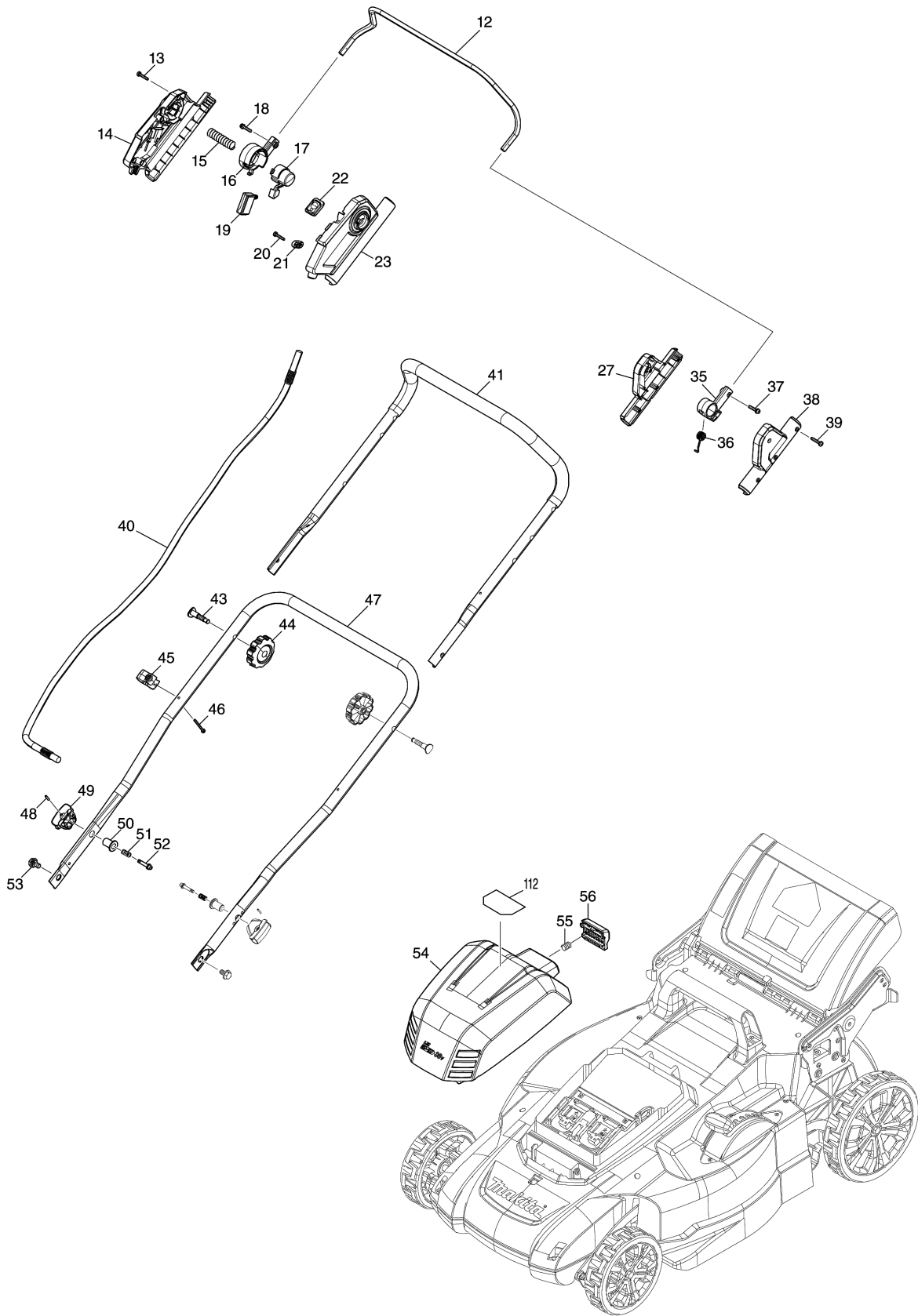
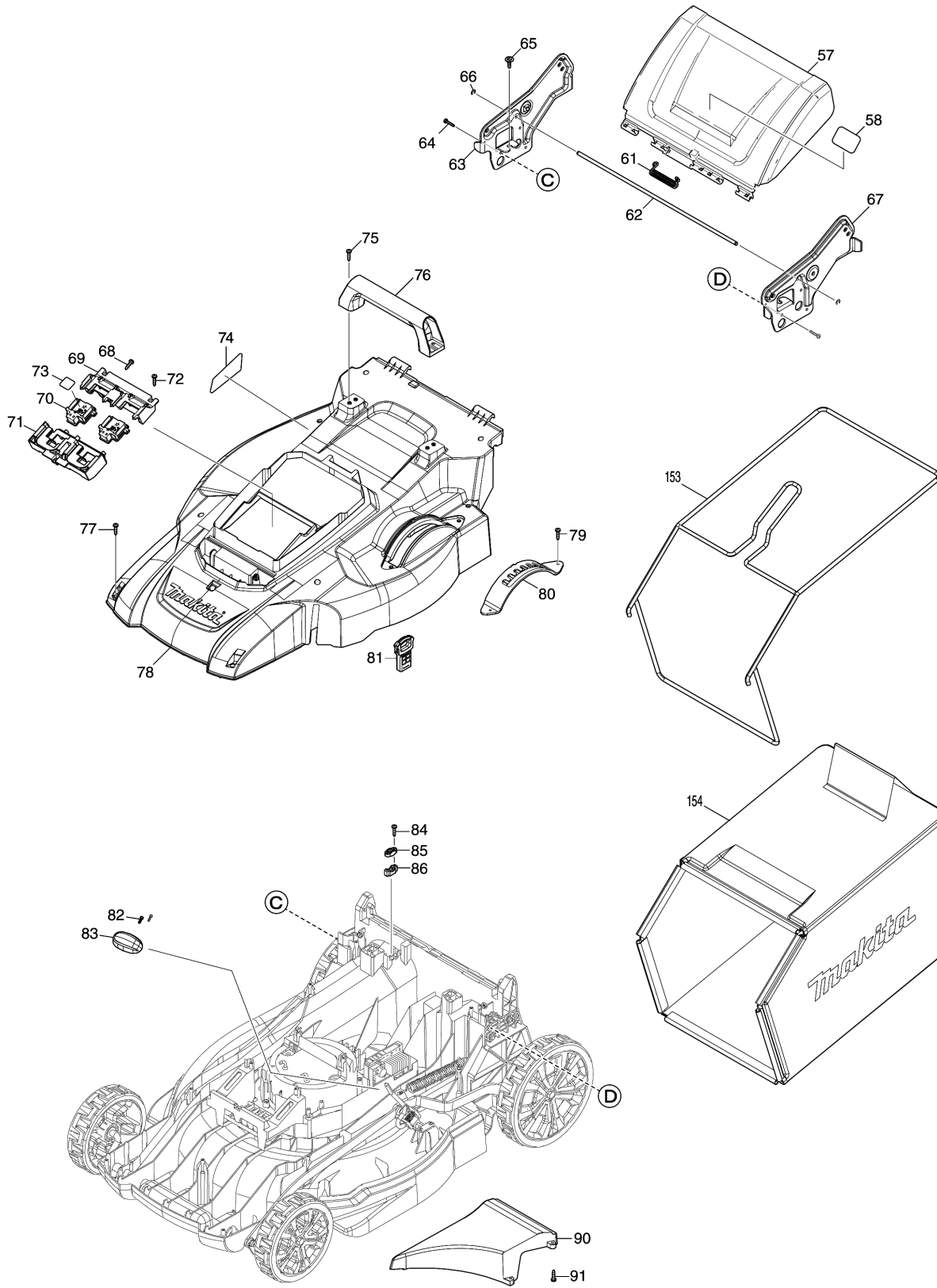


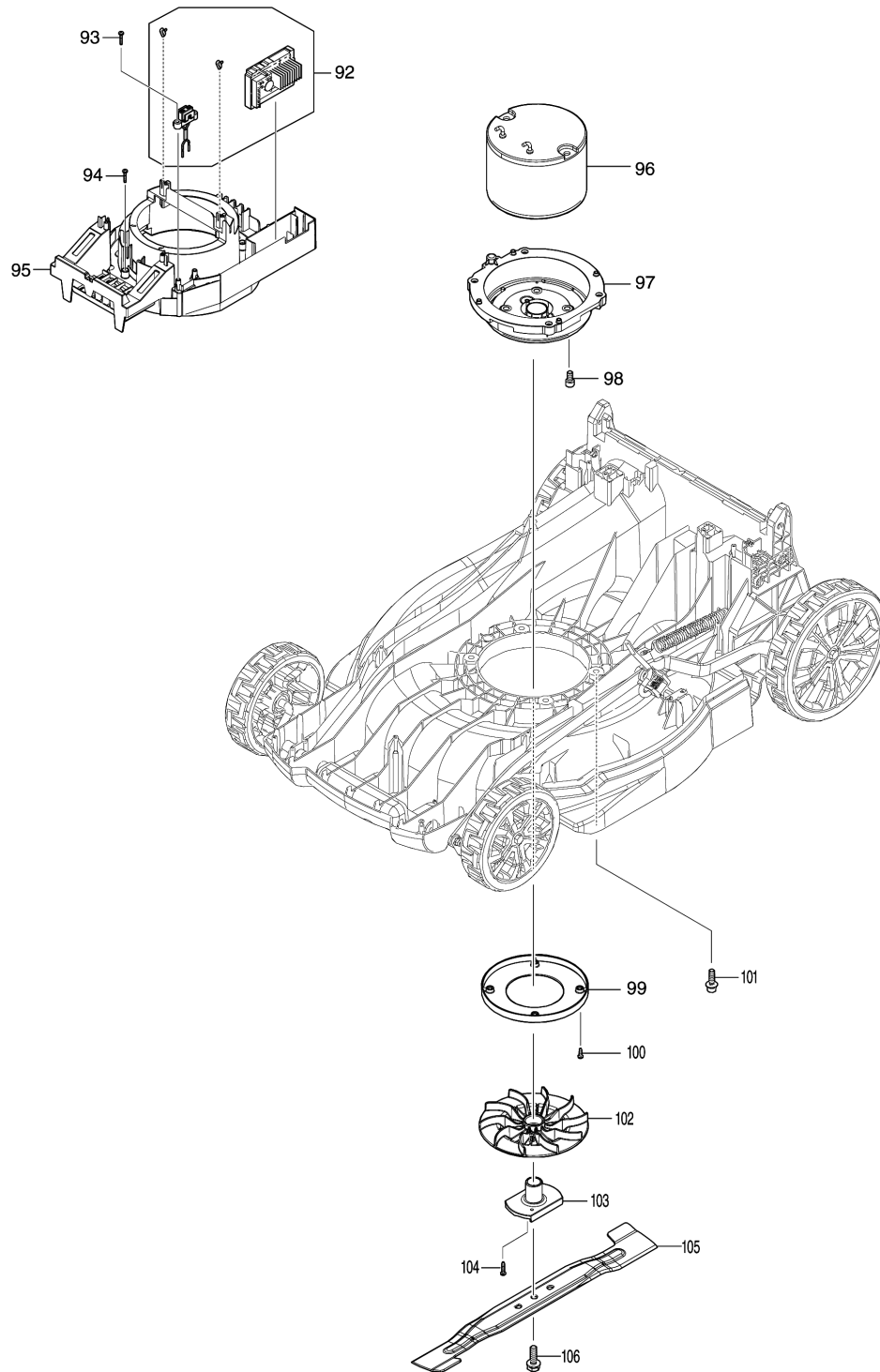
Model No.DLM480 480MM CORDLESS LAWN MOWER



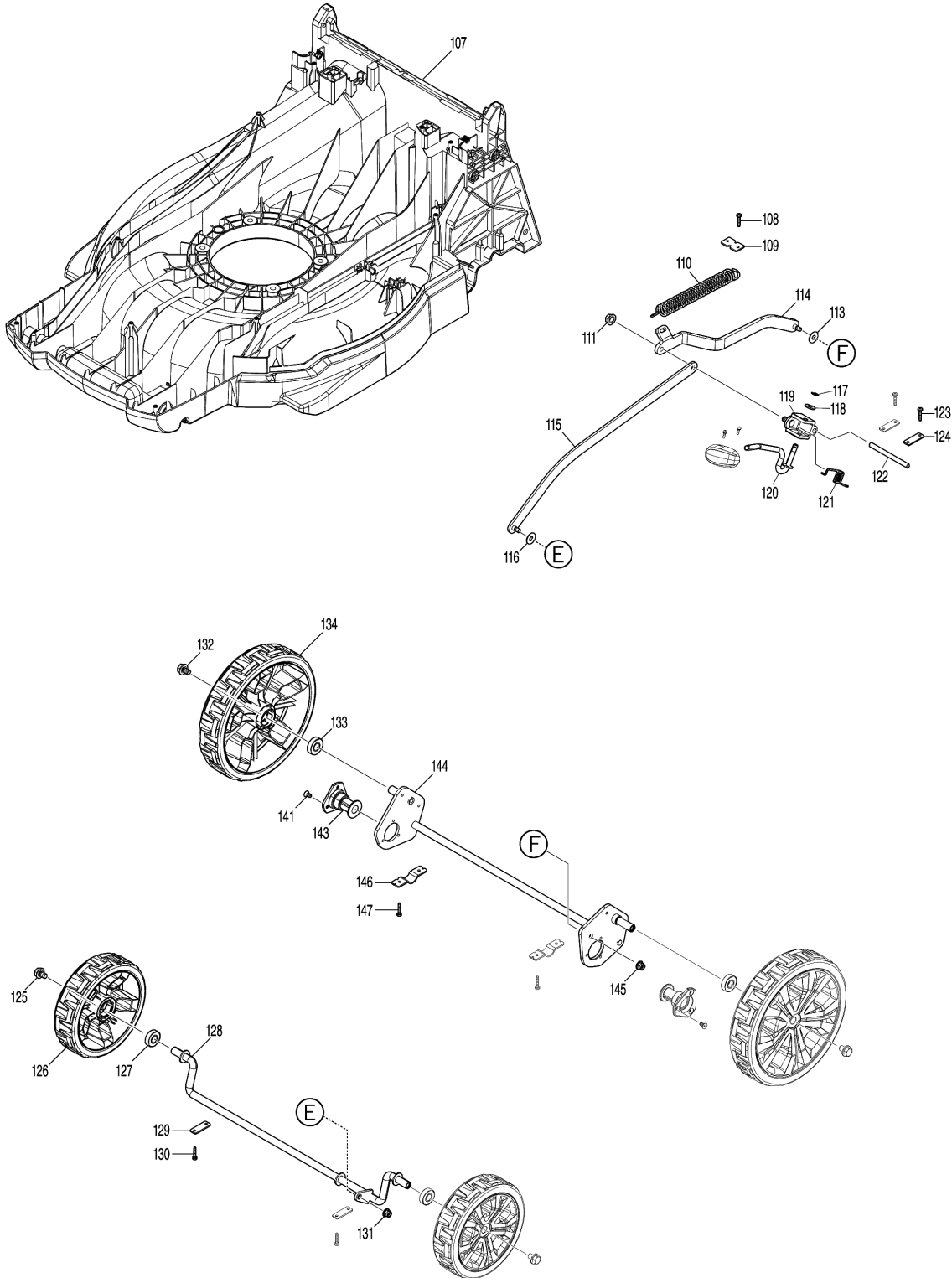
Model No.DLM480 480MM CORDLESS LAWN MOWER



Model No.DLM480 480MM CORDLESS LAWN MOWER



Model No.DLM480 480MM CORDLESS LAWN MOWER



Model No.DLM480 480MM CORDLESS LAWN MOWER

| Item | Parts No. | Description | I/C | QTY | New/Old | Opt. 1 | Opt. 2 | NOTE |
|------|-----------|-------------------------|-----|-----|---------|--------|--------|------|
| 012 | 327424-8 | SWITCH LEVER | | 1 | | | | |
| 013 | 266424-2 | TAPPING SCREW 4X20 | | 7 | | | | |
| 014 | 183V31-7 | SWITCH BOX SET | | 1 | | | | |
| C10 | 8045G7-5 | INDICATION LABEL | | 1 | | | | |
| D10 | | INC. 23 | | | | | | |
| 015 | 231227-3 | COMPRESSION SPRING 15 | | 1 | | | | |
| 016 | 413A99-6 | SWITCH LEVER SUPPORT R | | 1 | | | | |
| C10 | 931102-0 | HEX. NUT M4 | | 1 | | | | |
| 017 | 413B00-7 | LOCK OFF BUTTON | | 1 | | | | |
| 018 | 911138-5 | P.H.SCREW M4X20 WITH WR | | 1 | | | | |
| 019 | 651083-9 | SWITCH C3XA-1PSPM | | 1 | | | | |
| 020 | 266424-2 | TAPPING SCREW 4X20 | | 2 | | | | |
| 021 | 687123-7 | STRAIN RELIEF | | 1 | | | | |
| 022 | 141H35-1 | SWITCH CIRCUIT COMPLETE | | 1 | | | | |
| C10 | 810D46-0 | SWITCH LABEL | | 1 | | | | |
| 023 | 183V31-7 | SWITCH BOX SET | | 1 | | | | |
| C10 | 8045G7-5 | INDICATION LABEL | | 1 | | | | |
| D10 | | INC. 14 | | | | | | |
| 027 | 183U21-4 | LEVER BOX SET | | 1 | | | | |
| D10 | | INC. 38 | | | | | | |
| 035 | 459863-5 | SWITCH LEVER SUPPORT L | | 1 | | | | |
| C10 | 931102-0 | HEX. NUT M4 | | 1 | | | | |
| 036 | 232575-3 | TORSION SPRING 12 | | 1 | | | | |
| 037 | 911138-5 | P.H.SCREW M4X20 WITH WR | | 1 | | | | |
| 038 | 183U21-4 | LEVER BOX SET | | 1 | | | | |
| D10 | | INC. 27 | | | | | | |
| 039 | 266424-2 | TAPPING SCREW 4X20 | | 4 | | | | |
| 040 | 699198-4 | POWER SUPPLY CORD UNIT | | 1 | | | | |
| 041 | 327871-3 | HANDLE UPPER | | 1 | | | | |
| 043 | 265C08-1 | FLAT HEAD BOLT M8X50 | | 2 | | | | |
| 044 | 265C06-5 | THUMB NUT M8 | | 2 | | | | |
| 045 | 413944-9 | CLAMP | | 1 | | | | |
| C10 | 931102-0 | HEX. NUT M4 | | 1 | | | | |
| 046 | 911163-6 | PAN HEAD SCREW M4X35 | | 1 | | | | |
| 047 | 122A73-0 | HANDLE LOWER ASSEMBLY | | 1 | | | | |
| D10 | | INC. 48-52 | | | | | | |
| 048 | 258004-8 | SPRING PIN 2.5-16 | | 2 | | | | |
| 049 | 413943-1 | KNOB | | 2 | | | | |
| 050 | 327877-1 | LOCK HOLDER | | 2 | | | | |
| 051 | 234121-8 | COMPRESSION SPRING 8 | | 2 | | | | |
| 052 | 327876-3 | LOCK PIN | | 2 | | | | |
| 053 | 265C07-3 | HEX. BOLT M8 | | 2 | | | | |

Please order the parts with part number.

Print Date 12/16/2021

Model No.DLM480 480MM CORDLESS LAWN MOWER

| Item | Parts No. | Description | I/C | QTY | New/Old | Opt. 1 | Opt. 2 | NOTE |
|------|-----------|-----------------------------------|-----|-----|---------|--------|--------|------|
| 054 | 141F56-1 | BATTERY COVER COMPLETE | | 1 | | | | |
| C10 | 890380-0 | CAUTION LABEL | | 1 | | | | |
| 055 | 231037-8 | COMPRESSION SPRING 7 | | 1 | | | | |
| 056 | 413B03-1 | LOCK LEVER | | 1 | | | | |
| 057 | 141J54-9 | REAR FLAP COMPLETE | | 1 | | | | |
| D10 | | INC. 58 | | | | | | |
| 058 | 8047H5-8 | CAUTION LABEL | | 1 | | | | |
| 061 | 232721-8 | TORSION SPRING 8 | | 1 | | | | |
| 062 | 327874-7 | ROD 6 | | 1 | | | | |
| 063 | 347867-8 | HANDLE BRACKET R | | 1 | | | | |
| 064 | 266553-1 | TAPPING SCREW 5X30 | | 6 | | | | |
| 065 | 265C05-7 | TAPPING SCREW FRANGE 5X20 | | 2 | | | | |
| 066 | 961018-5 | STOP RING E-5 | | 2 | | | | |
| 067 | 347866-0 | HANDLE BRACKET L | | 1 | | | | |
| 068 | 266424-2 | TAPPING SCREW 4X20 | | 3 | | | | |
| 069 | 183N35-1 | TERMINAL HOUSING SET | | 1 | | | | |
| C10 | 263005-3 | RUBBER PIN 6 | | 4 | | | | |
| D10 | | INC. 71 | | | | | | |
| 070 | 644809-6 | TERMINAL | | 2 | | | | |
| 071 | 183N35-1 | TERMINAL HOUSING SET | | 1 | | | | |
| C10 | 263005-3 | RUBBER PIN 6 | | 4 | | | | |
| D10 | | INC. 69 | | | | | | |
| 072 | 266424-2 | TAPPING SCREW 4X20 | | 3 | | | | |
| 073 | 8114E2-8 | DLM480 SERIAL NO. LABEL | | 1 | | | | |
| 074 | 8114D9-7 | DLM480 NAME PLATE | | 1 | | | | |
| 075 | 266424-2 | TAPPING SCREW 4X20 | | 4 | | | | |
| 076 | 413938-4 | REAR GRIP | | 1 | | | | |
| 077 | 266424-2 | TAPPING SCREW 4X20 | | 11 | | | | |
| 078 | 141J46-8 | COWLING COMPLETE | | 1 | | | | |
| C10 | 422789-4 | SPONGE SEAL | | 1 | | | | |
| C20 | 8031N0-1 | INDICATION LABEL | | 2 | | | | |
| 079 | 266424-2 | TAPPING SCREW 4X20 | | 2 | | | | |
| 080 | 162993-0 | HEIGHT ADJUST PLATE | | 1 | | | | |
| 081 | 643535-4 | KEY | | 1 | | | | |
| 082 | 266816-5 | + PAN HEAD SCREW M3X12 WITH WR | | 2 | | | | |
| 083 | 413939-2 | HEIGHT ADJUST LEVER GRIP | | 1 | | | | |
| 084 | 266424-2 | TAPPING SCREW 4X20 | | 2 | | | | |
| 085 | 687123-7 | STRAIN RELIEF | | 1 | | | | |
| 086 | 687051-6 | STRAIN RELIEF | | 1 | | | | |
| 090 | 413924-5 | DECK REAR COVER | | 1 | | | | |
| 091 | 266424-2 | TAPPING SCREW 4X20 | | 4 | | | | |

Model No.DLM480 480MM CORDLESS LAWN MOWER

| Item | Parts No. | Description | I/C | QTY | New/Old | Opt. 1 | Opt. 2 | NOTE |
|------|-----------|--------------------------------|-----|-----|---------|--------|--------|------|
| 092 | 620G78-5 | CONTROLLER | | 1 | | | | |
| 093 | 266424-2 | TAPPING SCREW 4X20 | | 2 | | | | |
| 094 | 266424-2 | TAPPING SCREW 4X20 | | 4 | | | | |
| 095 | 413B05-7 | MOTOR COVER | | 1 | | | | |
| 096 | 629A90-6 | DC MOTOR | | 1 | | | | |
| 097 | 141H61-0 | MOTOR BRACKET COMPLETE | | 1 | | | | |
| 098 | 922422-3 | HEX. SOCKET HEAD BOLT M8X16 | | 4 | | | | |
| 099 | 459853-8 | BAFFLE PLATE | | 1 | | | | |
| 100 | 266385-6 | TAPPING SCREW 4X14 | | 4 | | | | |
| 101 | 265C22-7 | H.S.H.BOLT M8X30 WITH WG | | 4 | | | | |
| 102 | 240229-8 | FAN 170 | | 1 | | | | |
| 103 | 313393-9 | BLADE SUPPORT 480 | | 1 | | | | |
| 104 | 266424-2 | TAPPING SCREW 4X20 | | 2 | | | | |
| 105 | 191V97-3 | BLADE 480 SET | | 1 | | | | |
| 106 | 265A69-9 | HEX. BOLT M10X35 WITH WG | | 1 | | | | |
| 107 | 413A62-9 | DECK | | 1 | | | | |
| 108 | 266424-2 | TAPPING SCREW 4X20 | | 2 | | | | |
| 109 | 347870-9 | HOOK PLATE | | 1 | | | | |
| 110 | 232717-9 | TENSION SPRING 17 | | 1 | | | | |
| 111 | 252301-4 | HEX. FLANGE LOCK NUT M6- 10 | | 1 | | | | |
| 112 | 8046H7-8 | INDICATION LABEL | | 1 | | | | |
| 113 | 253731-2 | FLAT WASHER 8 | | 1 | | | | |
| 114 | 347873-3 | CONNECTING ROD R | | 1 | | | | |
| 115 | 347872-5 | CONNECTING ROD F | | 1 | | | | |
| 116 | 253731-2 | FLAT WASHER 8 | | 1 | | | | |
| 117 | 961012-7 | STOP RING E-6 | | 1 | | | | |
| 118 | 267281-1 | FLAT WASHER 8 | | 1 | | | | |
| 119 | 313389-0 | ROD HOLDER | | 1 | | | | |
| 120 | 327872-1 | HEIGHT ADJUST LEVER | | 1 | | | | |
| 121 | 232715-3 | TORSION SPRING 9 | | 1 | | | | |
| 122 | 327873-9 | ROD 7 | | 1 | | | | |
| 123 | 266424-2 | TAPPING SCREW 4X20 | | 4 | | | | |
| 124 | 347869-4 | PLATE | | 2 | | | | |
| 125 | 265324-3 | HEX. FLANGE HEAD BOLT M8X12 | | 2 | | | | |
| 126 | 141E34-5 | TIRE 180 COMPLETE | | 2 | | | | |
| 127 | 210163-6 | BALL BEARING 6001DDW | | 2 | | | | |
| 128 | 162991-4 | FRONT SHAFT | | 1 | | | | |
| 129 | 347869-4 | PLATE | | 2 | | | | |
| 130 | 266424-2 | TAPPING SCREW 4X20 | | 4 | | | | |
| 131 | 252301-4 | HEX. FLANGE LOCK NUT M6- 10 | | 1 | | | | |

Model No.DLM480 480MM CORDLESS LAWN MOWER

| Item | Parts No. | Description | I/C | QTY | New/Old | Opt. 1 | Opt. 2 | NOTE |
|------|-----------|--------------------------------|-----|-----|---------|--------|--------|------|
| 132 | 265324-3 | HEX. FLANGE HEAD BOLT M8X12 | | 2 | | | | |
| 133 | 210163-6 | BALL BEARING 6001DDW | | 2 | | | | |
| 134 | 141E35-3 | TIRE 230 COMPLETE | | 2 | | | | |
| 141 | 251951-2 | HEX. SOCKET HEAD BOLT M5X10 | | 6 | | | | |
| 143 | 313390-5 | REAR SHAFT HOLDER | | 2 | | | | |
| 144 | 162992-2 | REAR SHAFT | | 1 | | | | |
| 145 | 252301-4 | HEX. FLANGE LOCK NUT M6- 10 | | 1 | | | | |
| 146 | 347865-2 | CLAMP 19 | | 2 | | | | |
| 147 | 266553-1 | TAPPING SCREW 5X30 | | 4 | | | | |
| 153 | 162A29-1 | GRASS CATCHER BRACKET | | 1 | | | | |
| 154 | 162A28-3 | GRASS CATCHER | | 1 | | | | |
| A01 | 327589-6 | ROD 6 | | 1 | | | | |
| A02 | 413946-5 | MULCHING PLUG 480 | | 1 | | | | |
| A03 | 782210-8 | SOCKET WRENCH 17 | | 1 | | | | |
| A04B | ***DC18SH | DC18SH TWO PORT CHAGER | | 1 | | | | |
| D10 | | COMPO-PARTS | | | | | | |
| A05B | 197280-8 | BATTERY BL1850B SET | | 2 | | | | |
| E01 | 688238-3 | LINE FILTER | | 2 | | | | |
| E02 | 688162-0 | LINE FILTER | | 1 | | | | |
| E03 | 688164-6 | LINE FILTER | | 1 | | | | |
| E04 | 819V88-9 | SOUND 95DB LABEL | | 1 | | | | |

Please order the parts with part number.

Print Date 12/16/2021